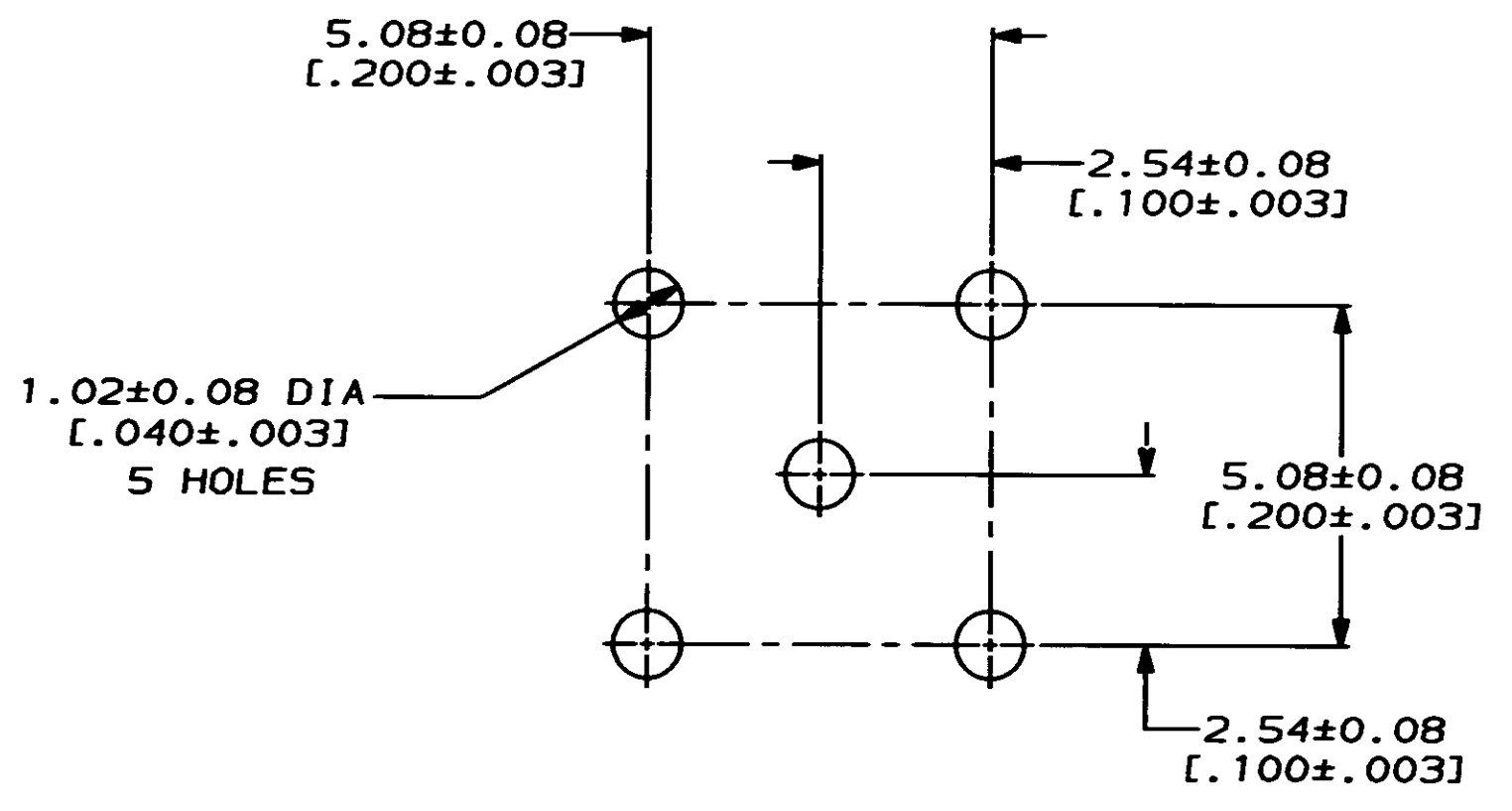
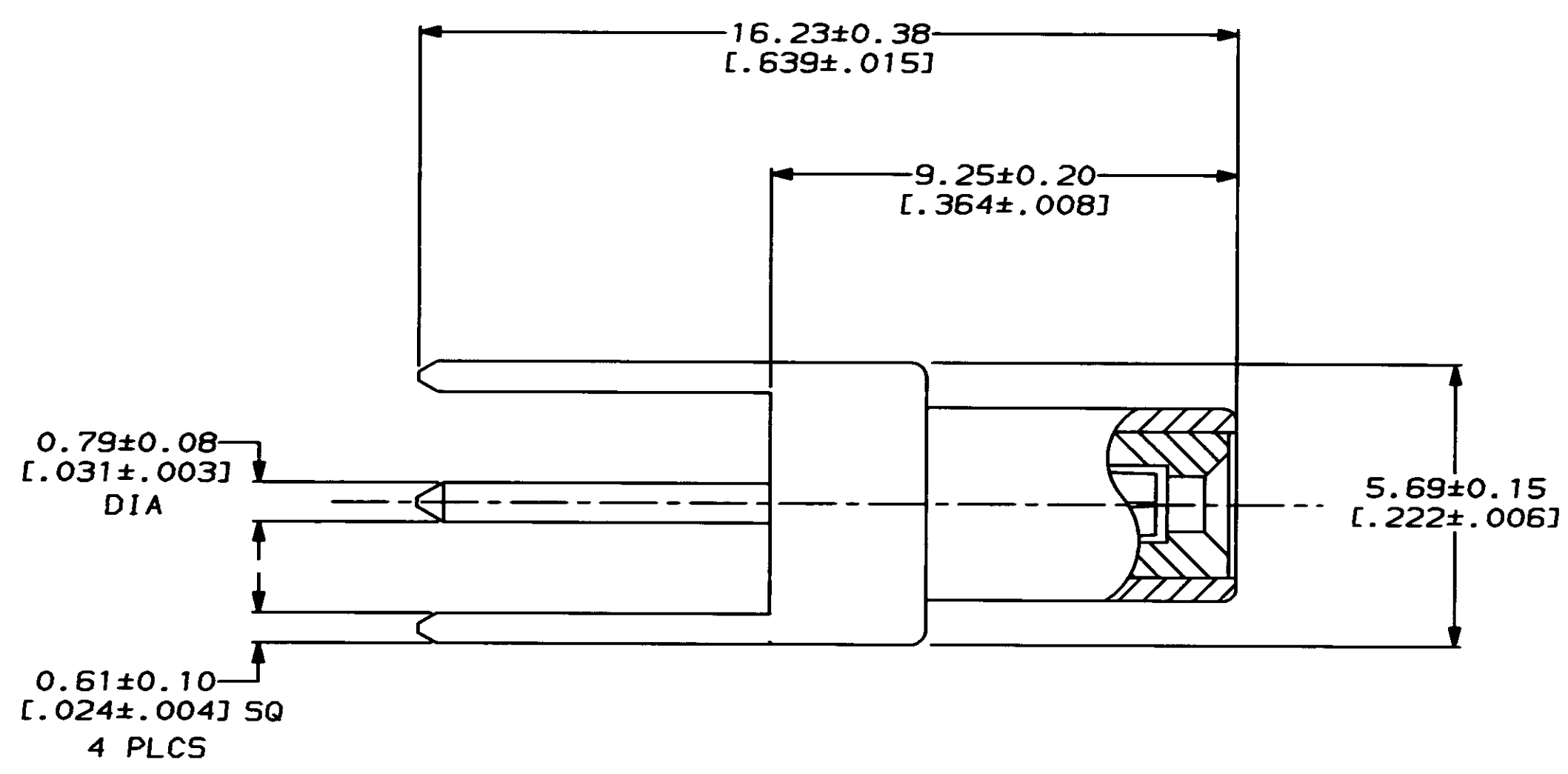


LOC		DIST		P		F		REVISIONS			
ZONE	LTR	DESCRIPTION	DATE	APPD							
AJ	16					0	REL PER 92-3361-020	01/29/93	JPD		

- ① BRASS PER QQ-B-626
- ② BERYLLIUM COPPER PER QQ-C-530
- ③ PTFE PER MIL-P-19468
- ④ NICKEL PL PER QQ-N-290
- ⑤ GOLD PL PER MIL-G-45204
- 6. DIELECTRIC AND CONTACT ASSEMBLY WILL WITHSTAND 2.5 LB PUSHOUT FORCE DIRECTED FROM MATING END



PCB CONFIGURATION

414509-1  
 PART NUMBER

DO NOT SCALE PRINT. UNLESS SPECIFIED DIMENSIONS IN INCHES [INCHES]		DR 01/29/93 J.DAVIS		AMP AMP Incorporated Harrisburg, PA 17105-3608	
TOLERANCES ON:		CHK 01/29/93 G.MICHAEL		NAME	
2 PLC DEC ± -		APPD 01/29/93 G.MICHAEL		PIN, PCB, VERT, SIZE 8	
3 PLC DEC ± -		APPD 01/29/93 J.DAVIS		SIZE	
ANGLES ± -		PRODUCT SPEC		CAGE CODE	
MATERIAL		-		DRAWING NO	
FINISH		-		C=414509	
-		#Z)\$(1\$		SCALE	
-		-		SHEET	
-		-		1 OF 1	

THIS DRAWING IS A CONTROLLED DOCUMENT FOR AMP INCORPORATED. IT IS SUBJECT TO CHANGE AND THE CONTROLLING ENGINEERING ORGANIZATION SHOULD BE CONTACTED FOR THE LATEST REVISION.